

Contact Angle Meter

Reliable surface energy measurement and a number of easy-to-use features make the ChemInstruments CAM-Plus contact angle meter an ideal testing machine. A patented “half angle” measurement method eliminates the difficulties associated with tangent angle measurement methods. With simple, reliable and consistent functions, coating operations of all types can quickly determine surface energy measurements.

- Easy “half angle” determination
- Operator independent consistent measurements
- Dyne level readings from 10 to 70
- Simple finite liquid dispensing that employs delicate liquid placement (sessile drop)
- Bright, clear image on a large screen for display
- A remote light source keeps heat away from the sample
- Platform configurations for small samples, films, printed circuit boards (PCB), plastic ball grip array (PBGAs), round samples (spherical and tubular)
- Standard input voltage - 120 VAC (50/60hz)

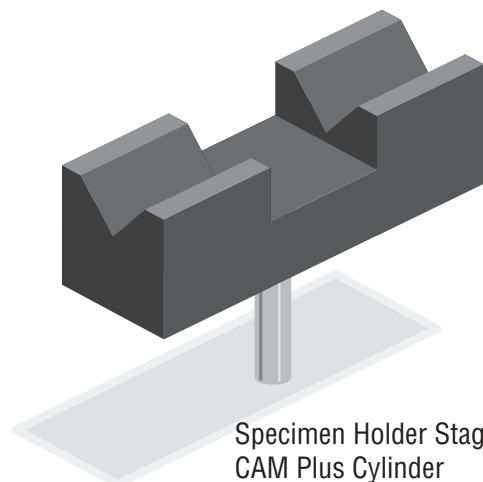


What is Surface Energy?

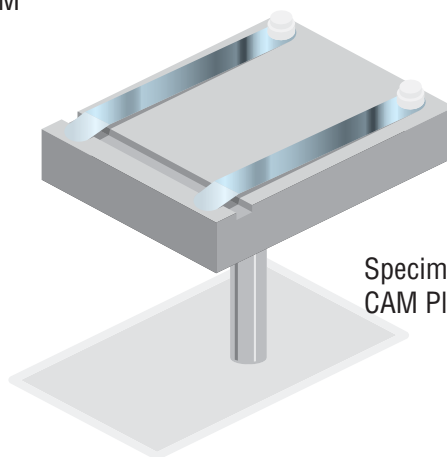
Surface energy is most evident in how a surface interacts with an applied liquid. Like color and texture, surface energy is a physical property. When paint is applied to a sheet of glass, it will typically “ball up” because it does not stick well to the surface. This is surface energy in action. Conversely, when liquid is applied to a different material and disperses, this is also surface energy.

Patented Measurement Method

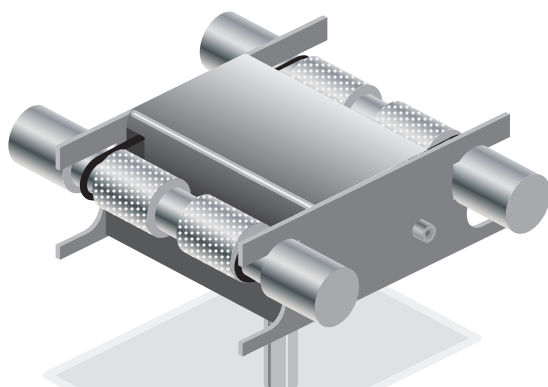
The CAM-Plus contact angle meter provides a patented method (“half angle”) for quantifying surface energy relative to other measurements on other surfaces. This information makes it possible for accurate prediction of a surface reaction to coatings, eliminating costly trial-and-error methods. CAM-Plus is designed for test methods ASTM D20.19, D724, D5946 and TAPPI T458 cm-94.



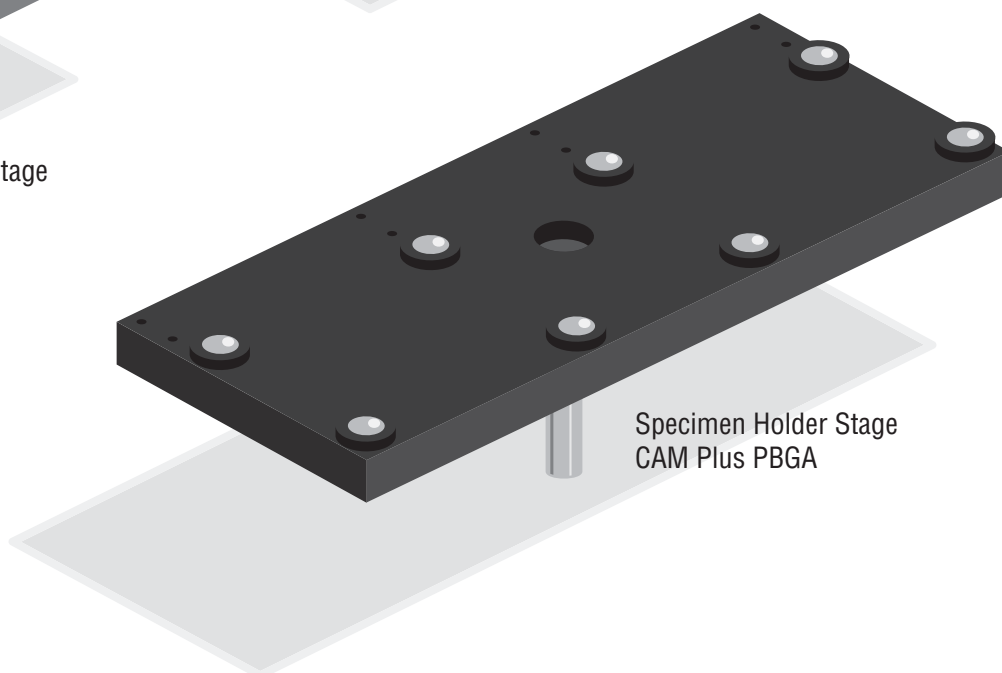
Specimen Holder Stage
CAM Plus Cylinder



Specimen Holder Stage
CAM Plus Micro



Specimen Holder Stage
CAM Plus Film



Specimen Holder Stage
CAM Plus PBGA